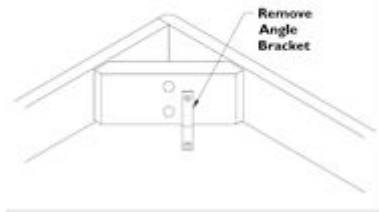


44222-780 Flip-Top Table Bracket Removal

Before operating the slide mechanism on the table the four angle brackets attached to the corner blocks must be removed. These brackets are for packing purposes only and can be accessed from the bottom side of the top.



Center Support System assembly instructions

Thomasville®

Beautiful furniture, beautifully made™

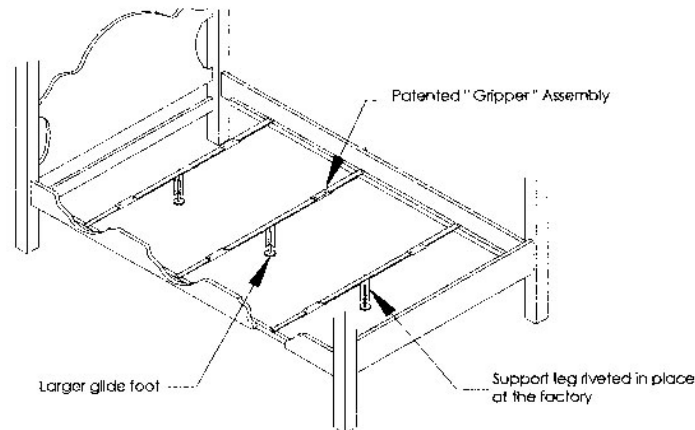
VOL. 11
NO. 1
April, 1999

TECHNICAL TIPS

Improved Glideaway Muscle 2000 Bed Support System Thomasville Catalog Number 999X - 2450

The Muscle 2000 bed support system is being improved to provide easier faster assembly and fewer loose parts. The new features include:

- Replacement of pinch clamps with a patented gripper assembly to hold adjustable sections in place.
- Support legs riveted in position at the factory, increasing strength, eliminating bolts, washers, and nuts and making set up faster.
- Larger adjustable glide feet for improved stability and support.



Thomasville Furniture Industries, Inc. P.O. Box 339 Thomasville, NC 27361 336-472-4000

PLEASE ROUTE TO WAREHOUSE/DELIVERY PERSONNEL

CENTER SUPPORT SYSTEMS FOR BEDS WITH WOOD SIDE RAILS

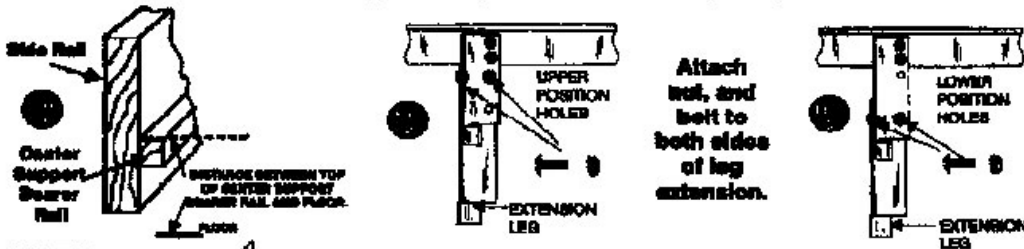
FULL, QUEEN, KING AND CALIFORNIA KING
 DOUBLE STRENGTH, ALL STEEL CENTER SUPPORT MODEL NO. SB 6-1/2-16-3PQK

STEP ONE Measure the distance from the top of the center support bearer rail and the floor (Fig. 1). If that measure:

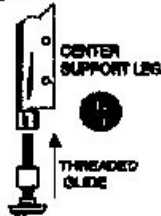
6-1/2" to 10" No extension leg is needed. IF NO EXTENSION LEG IS NEEDED THEN GO TO STEP 2 AND FOLLOW DIRECTIONS FROM THERE.

10" to 13-1/2" Attach extension leg to upper position set of holes. (FIG. 2)

13" to 16-1/2" Attach extension leg to lower position set of holes. (FIG. 3)



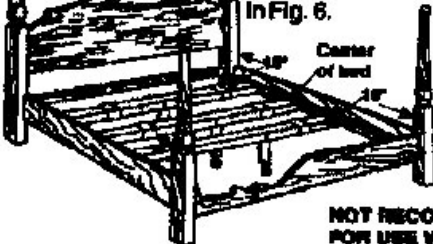
STEP TWO
 Insert threaded glide into leg as shown in figure 4.



STEP THREE
 Slide extension pieces outward so that they are flush with the inside of the wood rail and leg is centered in bed as shown in figure 5.

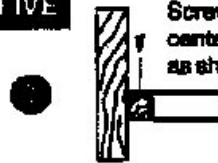


STEP FOUR
 Position back center support 15" from headboard, position front center support 15" from footboard and position third center support in the center of the bed as shown in Fig. 6.



NOT RECOMMENDED FOR USE WITH WATERBEDS

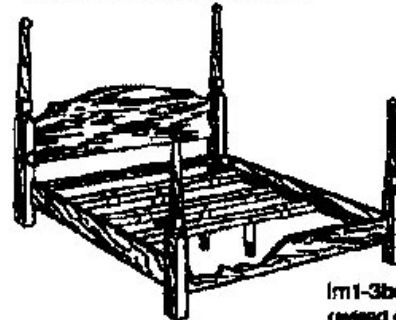
STEP FIVE
 Screw center support to center support bearer rail as shown in figure 7.

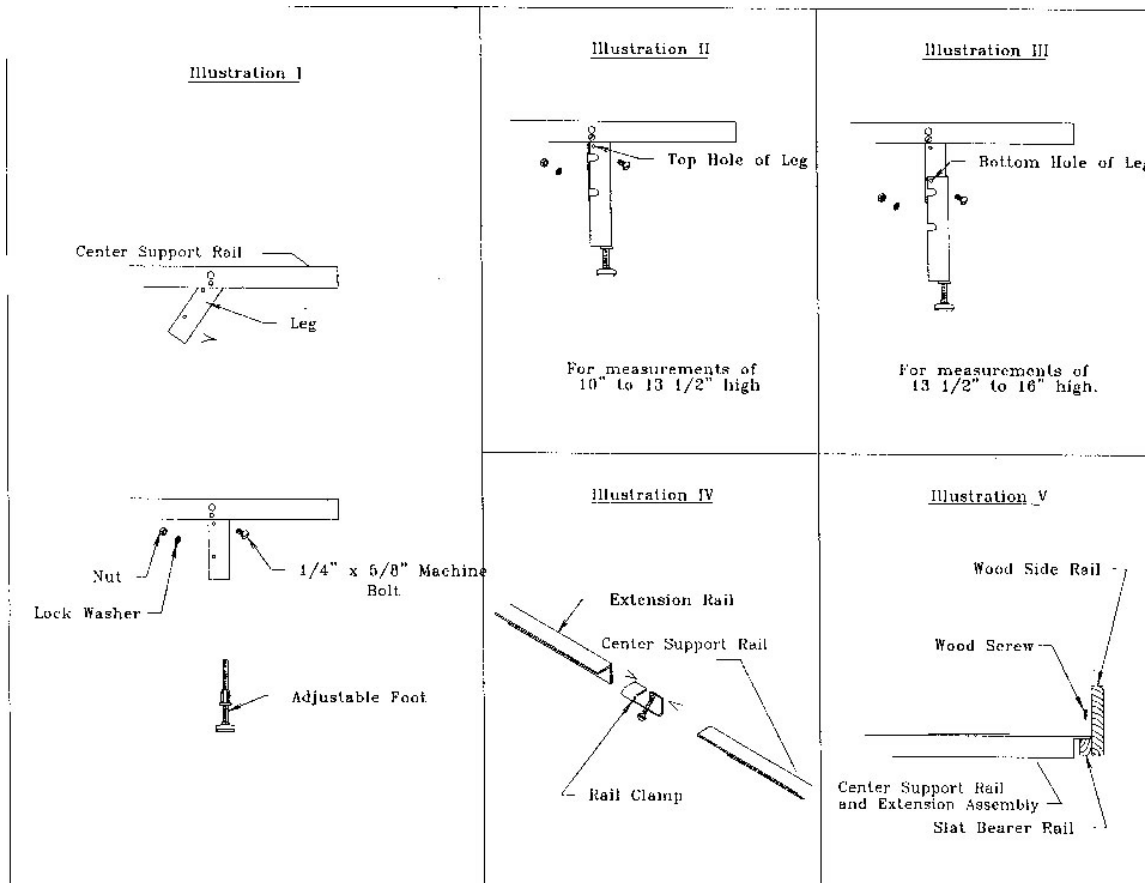


STEP SIX
 Adjust threaded glides to clear the floor by 1/2" as shown in figure 8.

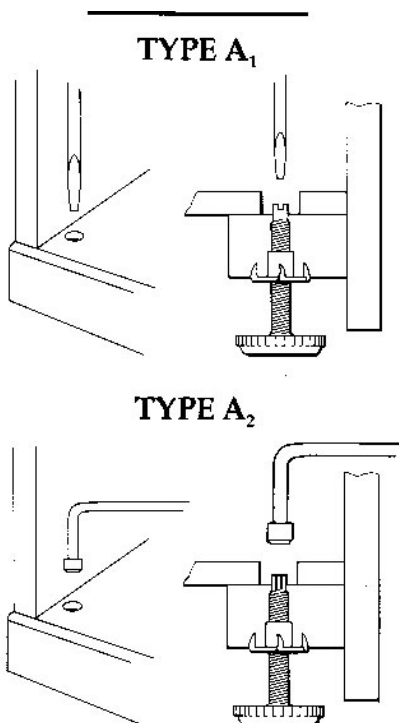


Congratulations! You are now ready to place foundation and mattress in your new bed.





Leveling guides



Thomasville

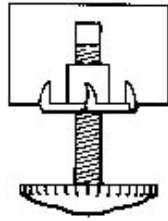
Thomasville furniture is engineered for optimum function in a level position and is level when it leaves the factory. After your furniture is delivered to your home, it is important to adjust special leveling glides to provide proper alignment, compensate for uneven floors, and assure satisfactory fit of doors and/or drawers.

Here's All You Do...

TYPES A₁ and A₂

- 1) Position furniture exactly in desired place in room.
- 2) Examine alignment of doors and drawers and if leveling is necessary, proceed to instruction #3.
- 3) Remove bottom drawer or open door to locate access holes for leveling devices.
- 4) **Refer to illustration A₁.**
Insert standard screw driver through hole, into groove of leveler. Turn clockwise to raise the furniture piece, counterclockwise to lower it.
Refer to illustration A₂.
Insert wrench (provided with your furniture) or ratchet wrench through hole. Turn clockwise to raise the furniture piece, counterclockwise to lower it.
- 5) Adjust all levelers until a level alignment is achieved.
- 6) Cover access holes with plastic leveler caps provided.
- 7) Should a door or drawer begin to bind, check alignment. Further adjustments of levelers may be necessary after furniture settles in rugs or carpeting.

TYPE B



TYPE B

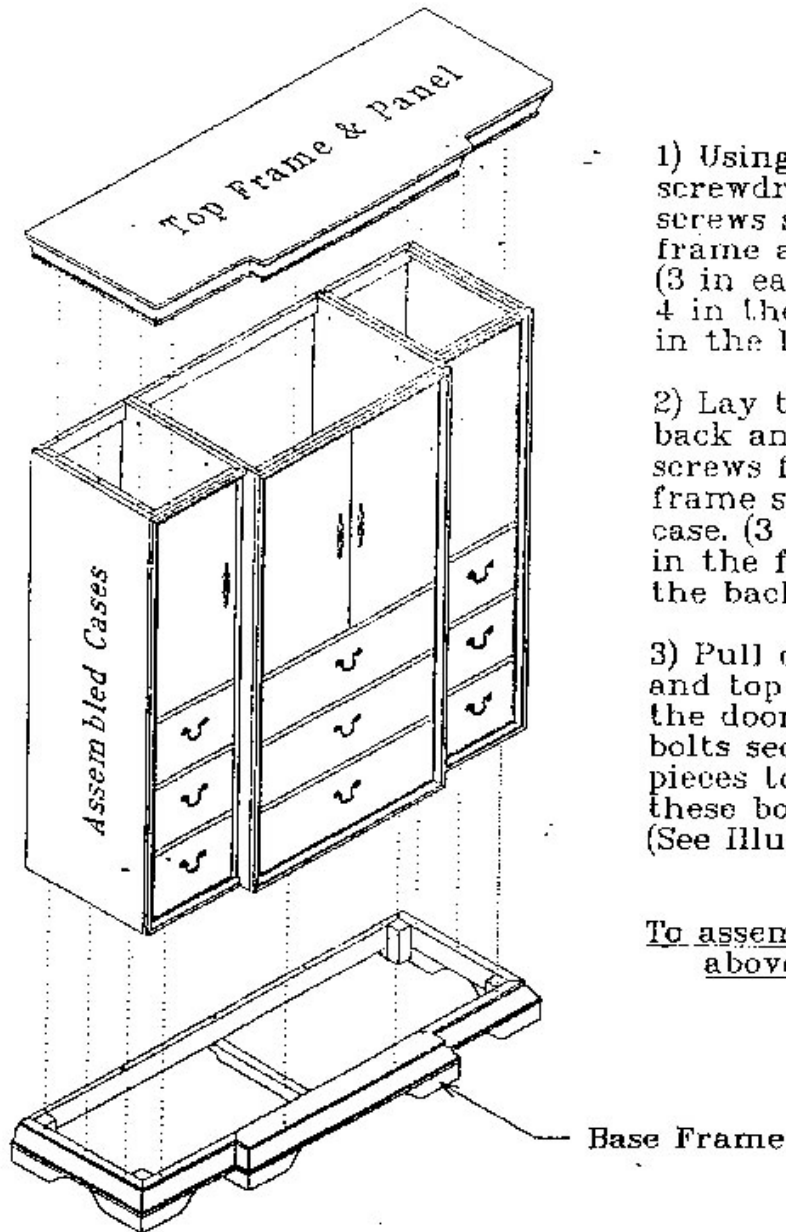
- 1) Position furniture exactly in desired place in room.
- 2) Examine alignment of doors and drawers and if leveling is necessary, proceed to instruction #3.
- 3) Tilt case for access to levelers and adjust levelers by hand. Turn counterclockwise to raise the furniture piece or clockwise to lower it. Adjust all levelers until a level alignment is achieved.
- 4) Should a door or drawer begin to bind, check alignment. Further adjustments of levelers may be necessary after furniture settles in rugs or carpeting.

Thomasville[®]

P.O. Box 339 • Thomasville, NC 27361 • 919/472-4000

**Master chest disassembly
instruction**

Disassembly of the
Master Chest



1) Using a phillips head screwdriver, remove the screws securing the top frame and Panel to the case. (3 in each end panel cleat, 4 in the front rails, and 4 in the back rail)

2) Lay the case on it's back and remove the screws from under the base frame securing it to the case. (3 in each end rail, 4 in the front rails, and 5 in the back rail)

3) Pull out the bottom and top drawers and open the doors to expose the 12 bolts securing the case pieces together. Remove these bolts. (See Illustration #2)

To assemble reverse the above procedure.

Illustration #1

KEEP THESE INSTRUCTIONS!

#216
7/95

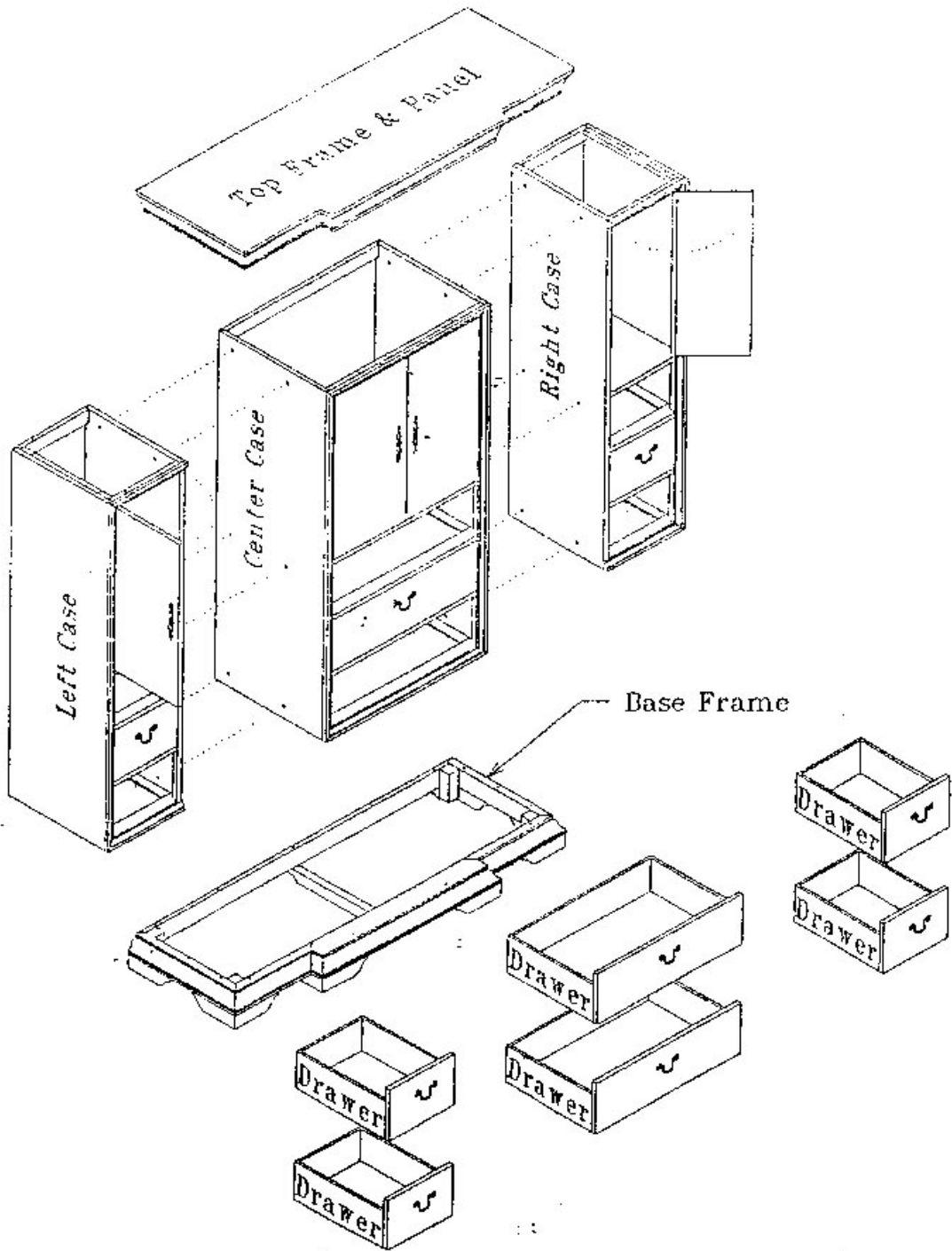


Illustration #2

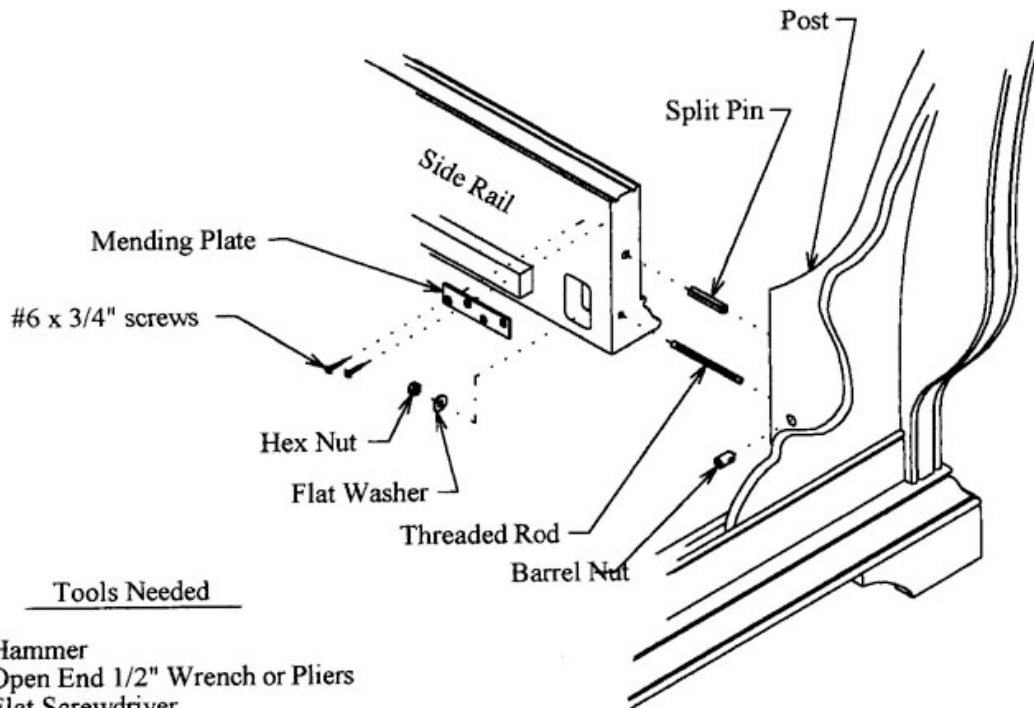
#216
7/95

Sleigh Bed assembly

Sleigh Bed Assembly

- (1) Using a hammer drive one split pin into the top hole on each post edge as illustrated below.
- (2) Insert one barrel nut into the hole in the inside of each post. Using a flat screw driver line the alignment slot up parallel to the floor.
- (3) Screw the threaded rod by hand into the barrel nut plain end first until it bottoms out.
- (4) Slide the side rail on the split pin and threaded rod.
- (5) Secure the side rails with the flat washer and hex nut provided. Tighten with a 1/2" wrench.
- (6) Attach a 3 1/2" mending plate to the side rail and post on the inside face close to the top with four #6 x 3/4" screws.

****ALWAYS DISASSEMBLE THE BED BEFORE MOVING!***



Tools Needed

Hammer
Open End 1/2" Wrench or Pliers
Flat Screwdriver
Phillipshead Screwdriver

#243
Revised 7/02

ALWAYS DISASSEMBLE THE BED BEFORE MOVING!

Glass Shelf support with Screw installation

Thomasville®

For additional security of the glass shelving and the articles placed upon it, glass shelf supports with screws are provided. We strongly recommend that the screws be used. First determine the desired placement of the glass shelves. Next, install the shelf supports in the corresponding hole locations and insert the screws as indicated. Be careful not to over tighten and strip the screws.

