

# Thomasville®

## Assembly Instructions

## Top of Chest TV Mount

46411-610

Thank you for purchasing this quality product. Be sure to check all packing materials carefully for small parts that may have come loose inside the carton during shipment. Please read all instructions carefully before starting the assembly process.

**CAUTION:** Some items and/or the components are cumbersome and heavy. Therefore, the assistance of one or more people is recommended in order to prevent personal injury and insure that the item and/or its components are not damaged during the assembly process. Do not over tighten the screws or bolts.

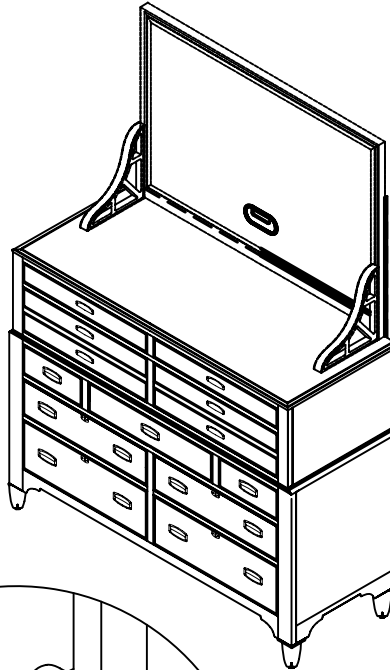
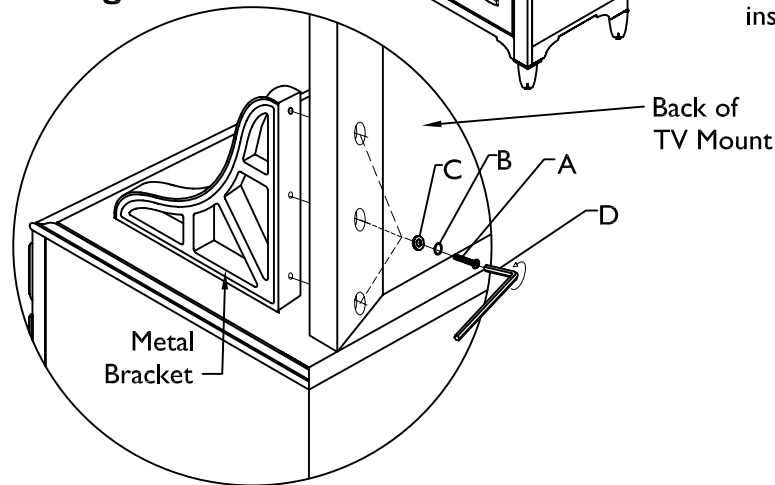


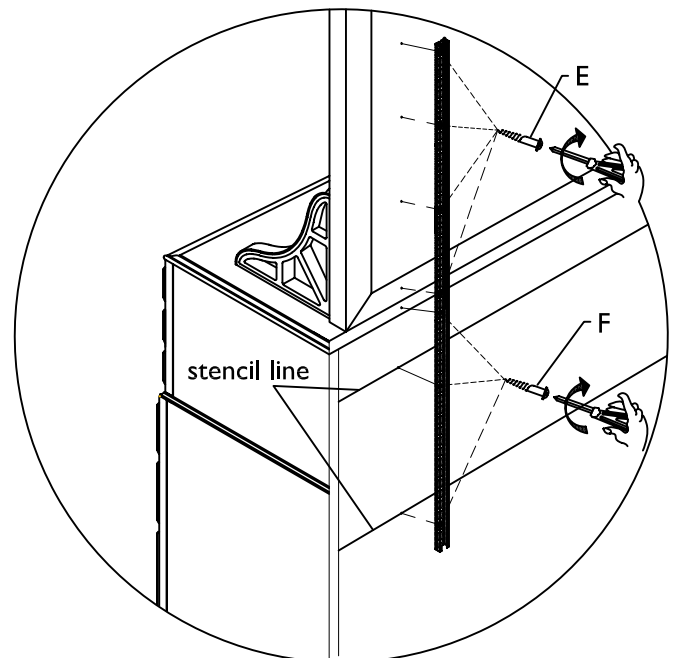
Diagram 1









1. Assemble the metal brackets to the Top of Chest TV Mount using bolts(A), lock washers(B) and flat washers(C) as illustrated in Diagram 1.
2. Position the TV Mount on the Media Chest, centered side to side and flush to the back edge.
3. Attach the panel support rails to the back of the TV Mount 6" in from each side using wood screws(E). Approximately half the support rail should hang down below the TV Mount. See Diagram 2.
4. Attach the panel support rails to the Media Chest with wood screws(F). Use one screw in the back edge of the top panel, the other two through the stencil lines on the back of the chest which indicates the location of the back rails. See Diagram 2.

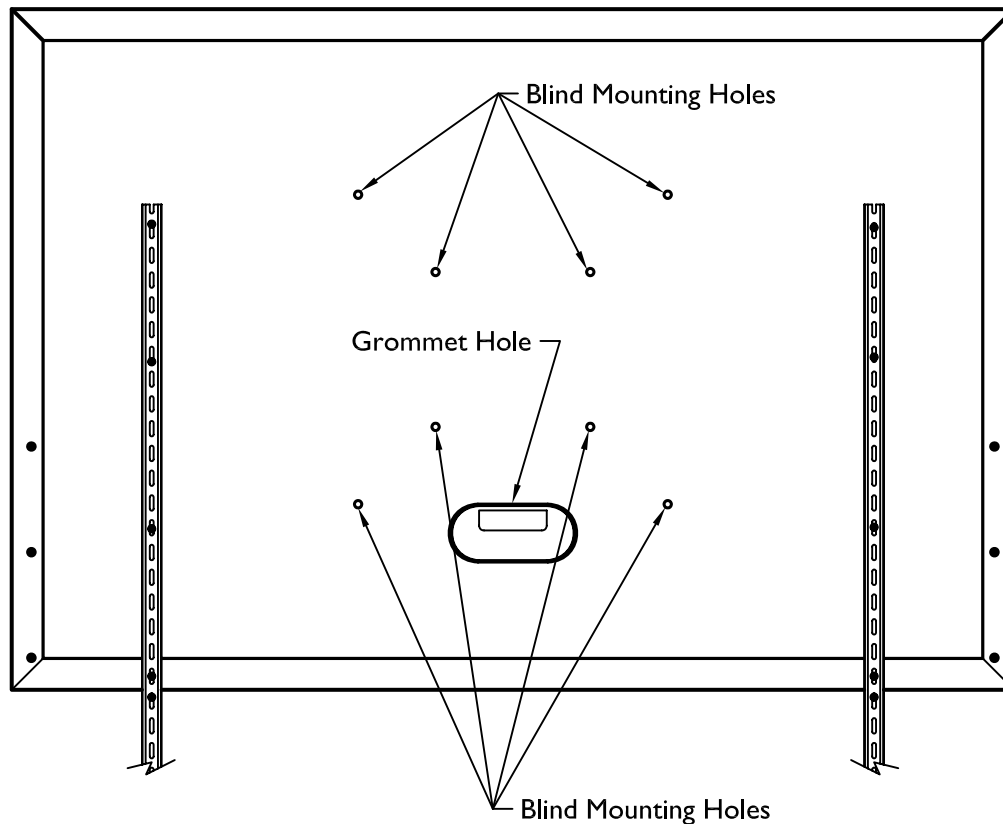
**WARNING:** The screws securing the support rails to the Media Chest must penetrate through the back panel and into the back rails. Screws only penetrating the back panel will be a safe installation.

Diagram 2



No.	Hardware List		Qty.
A		$\frac{1}{4}$ " x $2\frac{1}{4}$ " Bolt	6
B		$\frac{1}{4}$ " Lock Washer	6
C		$\frac{1}{4}$ " Flat Washer	6
D		Allen Wrench	1
E		#8 x $\frac{5}{8}$ " Wood Screw	8
F		#8 x 1" Wood Screw	6

## Back of TV Mount



For your convenience holes have been bored  $\frac{2}{3}$  of the way through the TV Mount for installing a LCD or Plasma TV. The holes are spaced to fit most available TVs.

1. Determine which set of holes will be needed for the TV to be mounted.
2. Using a  $\frac{3}{8}$ " diameter spade bit, begin boring the appropriate holes through the TV mount. When the point of the bit begins to protrude through the front of the TV Mount stop boring from the back. Complete boring the holes from the front side to reduce the potential of the wood chipping or tearing out.
3. Attach the cables and wires to the TV and run them through the grommet hole in the TV Mount before attaching the TV.
4. Use the appropriate bolts (not included) to attach the TV to the TV Mount.